



10W Wall Plug Series PSC12x Adapter Series Meets EISA and Energy Star Requirements



Features

- Double Insulated
- Less Than 0.3W No-Load Current
- Efficiency Level V Compliance
- Class B EMI
- Over Voltage Protection
- Over Current Protection

Applications

- Wireless Communications
- Networking
- Portable Equipment
- Peripherals

Safety Approvals

- cUL/UL (for PSC12A)
- SAA (for PSC12S)
- Ecodesign ErP Directive 2009/125/EC (for PSC12E and PSC12K)
- CE (for PSC12E)
- C-Tick (for PSC12E)
- CCC (for PSC12C)

Mechanical Characteristics ⁽¹⁾

- Length: 71.7mm (2.82in)
- Width: 45 (1.77in)
- Height: 49.1mm (1.93in)
- Weight: 75g (2.65oz)

Output Specifications

Model	DC Output Voltage	Load		Ripple ⁽²⁾ P-P (max.)	Regulation Line & Load	Efficiency Level
		Min.	Max.			
PSC12x-050 ⁽³⁾	5V	0A	2.0A	200mV	±5%	V
PSC12x-090 ⁽³⁾	9V	0A	1.11A	180mV	±5%	V

(1) Mechanical characteristics for PSC12A models

(2) Measured with an oscilloscope with 20MHz (or over) bandwidth. Outputs should be bypassed at a connector with a 0.1uF ceramic capacitor and a 10uF electrolytic capacitor.

(3) X = A for US version, E for EU version, K for UK version, S for Australian version, C for Chinese version

Input:

AC Input Voltage Rating

100 to 240VAC

AC Input Voltage Range

90 to 264VAC

AC Input Frequency

47 to 63Hz

Input Current

0.5A (RMS) maximum at 120VAC

0.25A (RMS) maximum at 240VAC

Leakage Current

0.25A maximum at 264VAC

Inrush Current (Cold Start at ambient 25°C)

30A for 120VAC and maximum load

60A for 240VAC at maximum load

Input Power Saving

0.3W maximum at no load

Output:

Efficiency

73.4% minimum average efficiency for 5V model

76.6% minimum average efficiency for 9V model

Hold-up Time

10mS minimum at 120VAC and maximum load

Short-Circuit Protection

Auto restart

Environmental:

Temperature

Operation 0 to +40°C

Non-operation -40 to +85°C

Humidity 10-90% non-condensing

Emissions

FCC Class B

EN55022 Class B

Immunity

EN50082-1: (EN55024)

EN61000-4-2 Level

EN61000-4-3 Level

EN61000-4-4 Level

EN61000-4-5 Level

EN61000-4-6 Level

EN61000-4-8 Level

EN61000-4-11 Level

Dielectric Withstand (Hi-pot) Test

Primary to Secondary: 3000V AC for 1 min., 10mA

Primary to F.G.: 1500V AC for 1 min., 10mA

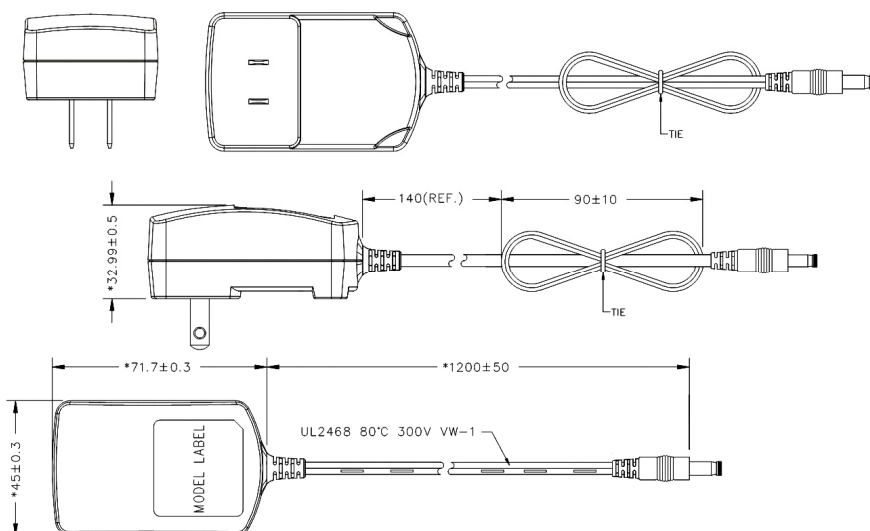
DC Output Connector

2.1 x 5.5mm Center Positive Standard

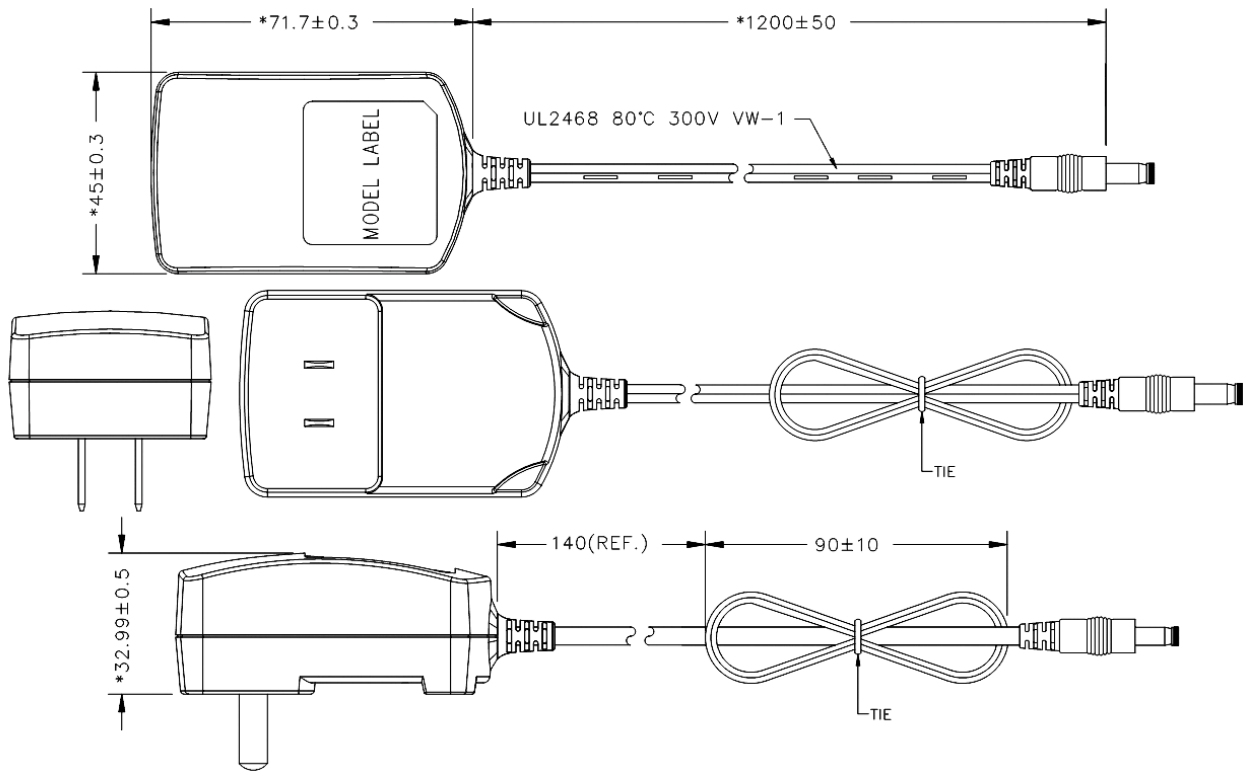
Mating Connector

Kycon KLD-0202-A or equivalent

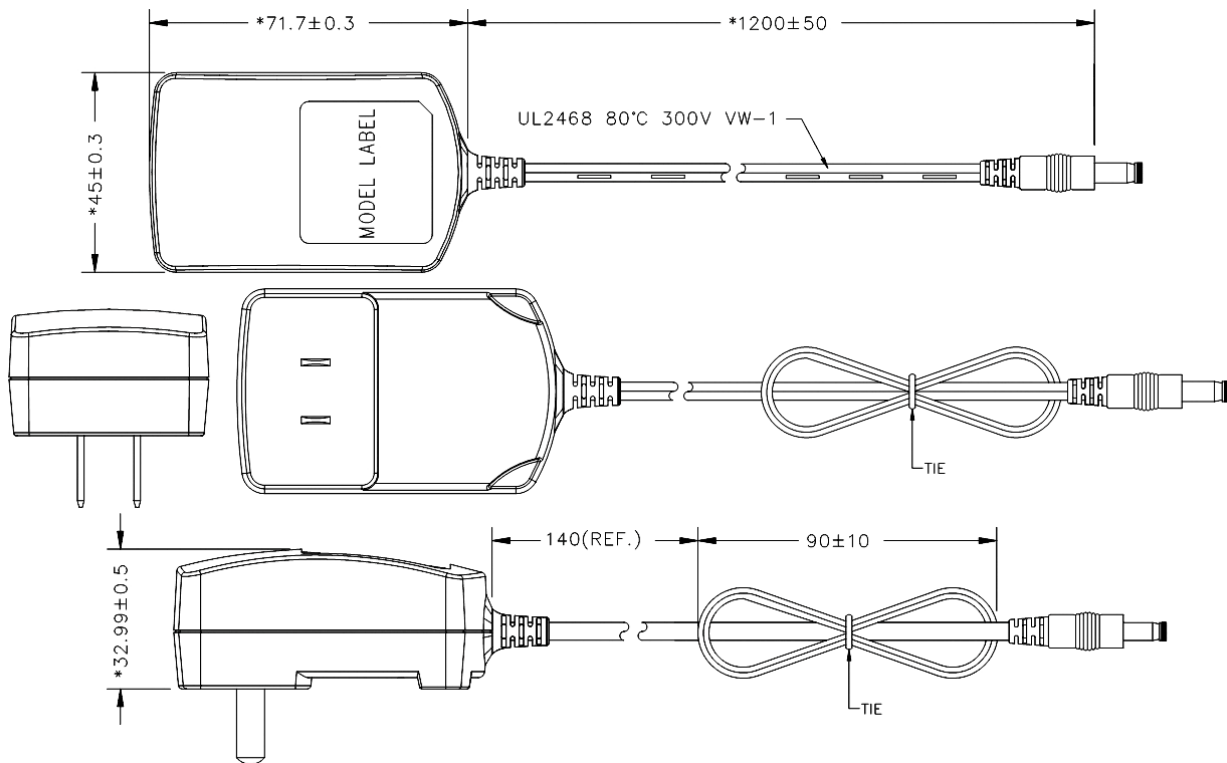
Dimension Diagram Unit: mm (inch) PSC12A



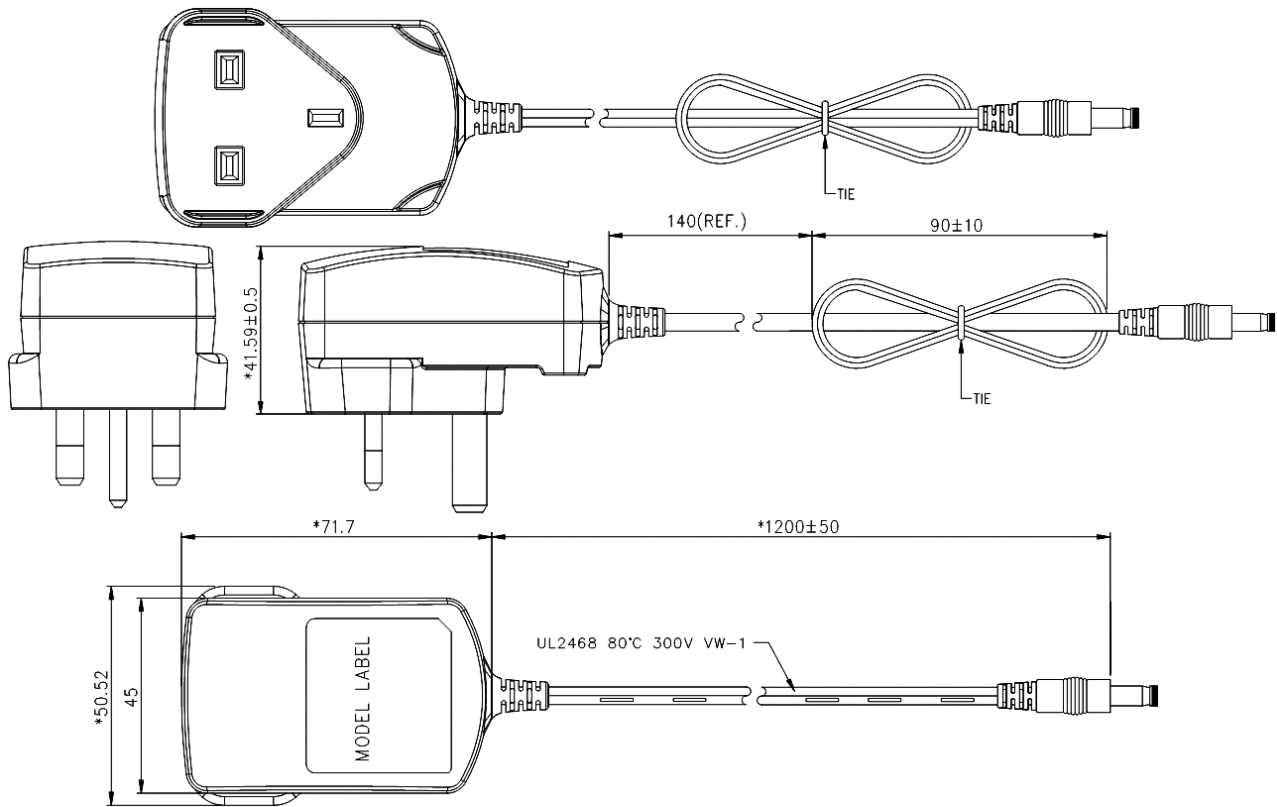
Dimension Diagram Unit: mm (inch) PSC12C



Dimension Diagram Unit: mm (inch) PSC12E



Dimension Diagram Unit: mm (inch) PSC12K



Dimension Diagram Unit: mm (inch) PSC12S

