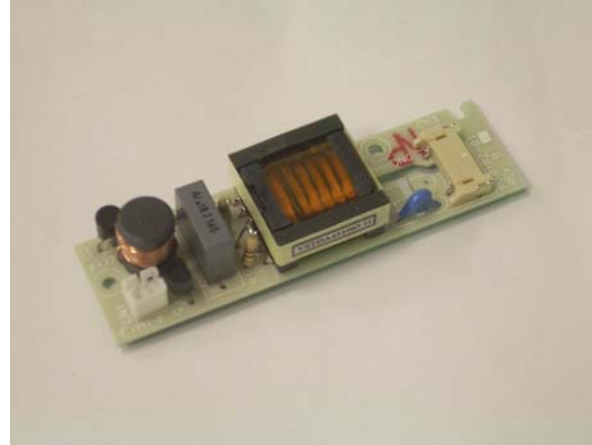


This Inverter features a simple design with low cost for the CCFL and the TFT LCD which is used on the Indication lighting box, Scanner, Decoration lighting, TFT-LCD of Emerging Display 5.7" ER057000 etc., It's alternated to Emerging Display's Inverter 01-B069-0001.



Physical Specifications

Dimensions : 74mmX20mmX13.5mm
 Weight : <19g
 Operation Temp. : 0 ~ 50°C, convection cooling
 Relative Humidity : 20 ~ 90%, non-condensing
 Storage : -20 ~ 85°C / 5 ~ 95% RH
 MTBF : 50,000 hrs at normal operation

Characteristics :

ITEM	SYM	Min.	Typ.	Max.	UNIT	REMARK
INPUT VOLTAGE	Vin	4.5	5.0	5.5	VDC	
INPUT CURRENT	Iin	-	0.82	0.95	ADC	
O/P CURRENT Per LAMP	I (max.)	4.0	5.0	6.0	mA	RMS value, Vdim=0V
OUTPUT FREQUENCY	Fo	30	40	50	KHz	
NO LOAD O/P VOLTAGE	Vs	1,150	1,250	1,450	Vrms	Measure on Transformer side

INPUT CONNECTOR (CN1) : PIN1 – Vin, PIN2 – GND (FCN JH2-10-0248 or equivalent)

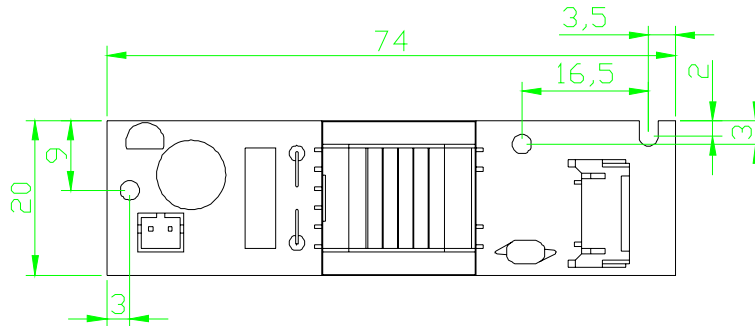
OUTPUT CONNECTOR (CN2) : PIN1 – CCFL HV, PIN2 – CCFL RTN (FCN WHZ-08521-0218 or equivalent)

Shapes and Dimensions :



DC-AC Backlight Inverter PIA01RZ-012-P

One Output with out Dimming Control



PHIHONG TECHNOLOGY CO., LTD.

No. 568, Fu Xing 3rd Rd., GuiShan, Tao Yuan Hsien, 333 Taiwan
TEL : 886-3-3277288 FAX : 886-3-3185999

REV. A

2004.09.23

2